



## Recommended Installation Instructions

### AQUALIFE

---

#### General Guidelines

Coreflex is a new generation hybrid product designed as a waterproof floating floor and can be laid over multiple subfloors that are in a solid condition.

Some common-sense precautions need to be followed:

1. All planks leaving our factory are subjected to vigorous batch controls as well as checks for visual defects. Nevertheless, as a precaution, check for any visible defects and discard any planks you may perceive to be imperfect.
2. Coreflex should only be installed in interior spaces within the temperature range of 5°C -50°C.
3. If product is to be laid from different batches, it is essential these batches be well blended to ensure a uniform visual.
4. Always allow a 6.5mm expansion gap to allow the floor to move in varying temperatures. If the installation temperature is close to the maximum installation temperature, install the planks closer to the wall to allow some room for shrinkage within the expansion gap. If towards the lower end of the temperature range, install the planks closer to the perimeter of the expansion gap to allow adequate room for the planks to expand. Any areas larger than 15lm in length, an expansion joint cover needs to be used.

#### Subfloor Information

Although this product is designed as a floating floor installation, correct preparation of the subfloor is still important. Roughness or unevenness of the subfloor may transmit through to the new floor, resulting in an unsightly floor surface and cause excessive wear on high spots or indentation on low spots. Furthermore, an uneven subfloor may cause end joints to separate. This event is not covered by the warranty.

All subfloor and underlayment patching must be done with a non-shrinking, water resistant cement patching compound.

#### General Subfloor Requirements

The subfloor should be prepared in accordance with Australian Standard AS1884: 2012. Installation should be carried out on a flat, clean, dry and solid subfloor free from cracks and holes.

A level subfloor is defined as:

1. Smoothness:

When a straight edge 2000mm long is placed at any position at rest at two points on the surface, no part of the surface shall be more than 4mm below the straight edge.

#### New Concrete Subfloor

The concrete floor must be dry before installation. If it is not dry a moisture barrier must be applied prior to installation, failure to do so may cause smells to come through the product.

#### Existing Subfloor/ Covering

1. Coreflex can be installed over most existing hard surface flooring provided the existing floor surface is smooth and even (as defined previously).
2. If the subfloor is not compliant with these requirements, remove any existing covering and prepare the subfloor as specified previously and in accordance with AS1884:2012.
3. When installing over ceramic tiles a leveling compound should be used to smooth out grout joints if they are too wide (over 3mm).
4. When installing over timber floors it must be structurally sound, with no holes and even.

#### Load Factors

Coreflex is a waterproof floating floor system therefore if any load is to exceed 200kg only direct stick products should be considered.

# Installation

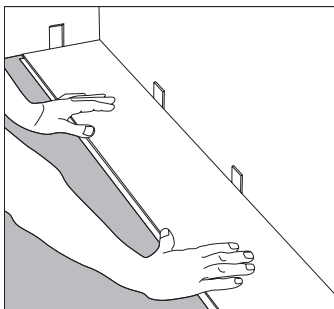
## Plank Layout

Do not secure individual planks of Coreflex to the subfloor as it is designed to be a floating floor.

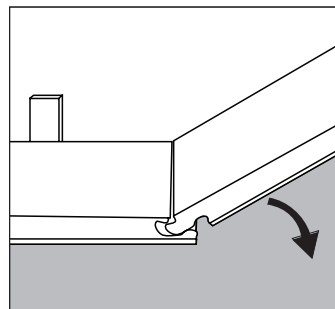
All door jambs should be undercut, and cabinets cannot be installed on top of Coreflex. Wall mouldings and transition strips should be installed at any exposed plank edges but should not be fastened in any way to the planks themselves.

1. First determine which direction the floor is to run. Typically for plank products, the flooring runs the length of the room. This is particularly preferable if the room is rectangular and runs into a hallway. There may be exceptions since this is all a matter of preference.
2. Before laying, measure the room at right angle to the direction of the planks. For the best visual effect, planks in the final row should be at least 1/3 the width of a plank. For this purpose, planks in the first row can be cut to a smaller size.
3. Shuffle planks from several cartons to obtain a pleasant blend of shades and textures. Lay planks preferably following the direction of the main source of light. We recommend laying on wooden floors crossways to the existing floorboards.
4. To avoid narrow plank widths or short plank lengths near the walls and doors, it is important to do some pre-planning. Using the width of the room, calculate how many full boards will fit into the area and how much space remains that will need to be covered by partial planks. Divide the remaining space by two to calculate the width of the partial planks. Do the same along the length.
5. For rooms with good ventilation, window coverings and no excessive temperature fluctuations - install planks allowing for a 3 to 6mm expansion gap against all fixed vertical parts such as walls, doors, cabinets, etc. This gap will need to be covered by a trim or scotia of choice, noting that the planks must be free to expand into the gap. The scotia or trim should not be fixed directly to the plank.
6. For surface areas greater than 150m<sup>2</sup> or 15 metres in length or width, a suitable expansion joint cover must be fitted.
7. If the first row of planks does not need to be trimmed in width, it will be necessary to cut off the unsupported tongue so that a clean, solid edge is towards the wall.

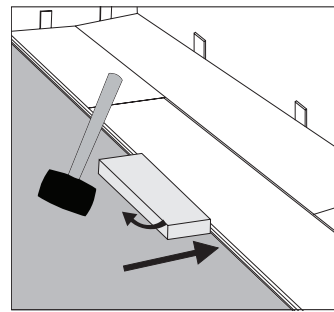
## Tap Down Installation



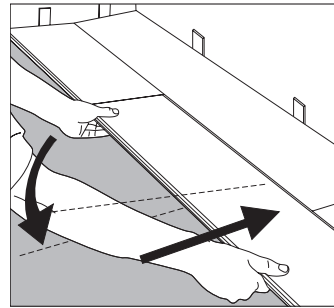
**Step 1:** Begin installation working from left to right. Insert spacers at ends and edges where planks meet wall.



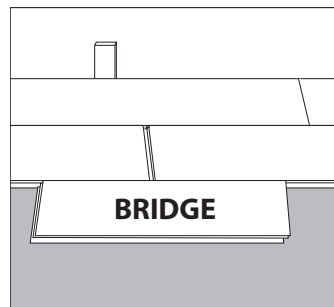
**Step 2:** Lock short end of plank by tapping down the ends until they lock into place. Continue to end of first row.



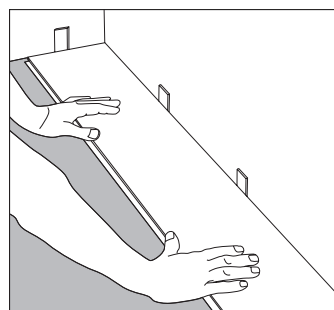
**Step 3:** Use leftover plank from first row as starter for second row. There must be at least 300mm between plank end joints on adjacent rows.



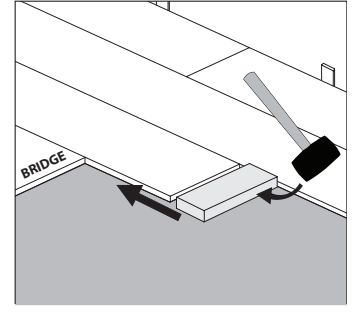
**Step 4:** Lock long edge of plank by inserting tongue into groove and drop in place.



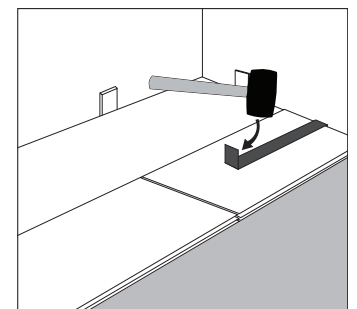
**Step 5: IMPORTANT!** Use hammer and tapping block to tap long edge of plank to ensure a tight fit. ANY GAPPING CAN COMPROMISE THE LOCKING SYSTEM!



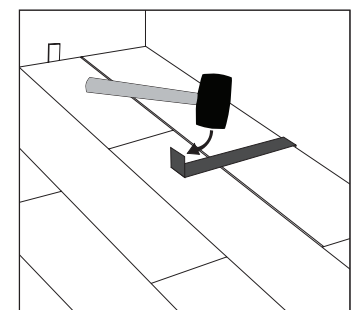
**Step 6:** Attach a scrap piece of floor to bridge gap between ends of planks.



**Step 7:** Tap end of plank with hammer and tapping block to lock ends of planks together. Remove bridge and continue towards wall until installing the final plank in the row. BE SURE TO TAP ON EDGE OF VINYL SO AS NOT TO DAMAGE LOCKING PROFILE.

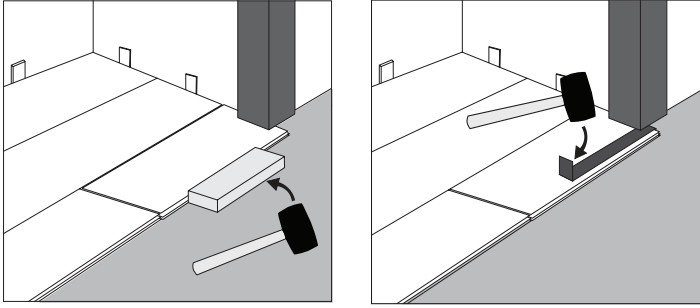


**Step 8:** Use hammer and pull bar to lock final piece in row. Insert spacer at end of row. Continue installation to final row.



**Step 9:** Use hammer and pull bar to lock long edges of planks on final row.

## Installing Under Door Jamb



**Step 1:** Undercut space under door jamb to allow plank to slide freely. Tap long edge with hammer and tapping block to lock long edge.

**Step 2:** Use hammer and pull bar to lock short end of plank

## In-floor Radiant Heat

Coreflex can be installed over radiant heat slabs.

- Turn the heat off for 24 hours before, during and 24 hours after installation when installing over radiant heated subfloors.
- Floor temperature must not exceed 30°C.

**Warning:** Electric heating mats that are not embedded into the subfloor are not recommended for use underneath Coreflex floors. Using electric heating mats that are not embedded and applied directly underneath Coreflex floors could void the warranty for your floor in case of failure. It is best to install Coreflex flooring over embedded radiant floor heating systems and adhere to the guidelines listed above.

## Plank Repairs

In the unlikely event that a plank is damaged for whatever reason, the simplest method is to disconnect the planks carefully (protecting the tongue and groove edges) until the damaged plank can be removed.

Then replace the damaged plank with a new one and reassemble the disconnected planks. This typically works for planks that are closest to the two long walls of a room.

For damaged planks that are not close to the perimeter, you may have to remove the damaged planks and insert new pieces without the short and long end grooves.

1. Using a sharp utility knife and a straight edge, cut out the centre of the damaged plank by leaving approximately 25mm strip attached to the adjacent planks.
2. Carefully cut back from the four corners of the plank to the inside edges in space left by the cut-out plank.
3. Remove the plank edges carefully from of the adjacent planks making sure the tongues and grooves of the adjacent planks are not damaged.
4. Using a utility knife, remove the tongue strip on both the long and short ends of the replacement plank. In addition, remove the groove strip of the short end of the replacement plank.
5. Place some double-sided carpet tape along the three sides of the adjacent planks where the tongues and the groove of the replacement plank have been removed. Only the top side release paper of the carpet tape should be removed. The bottom side release paper should NOT be adhered to the subfloor.
6. Position the replacement plank by engaging the groove of the long side into the tongue of the adjoining plank and pushing down on the other three sides. The carpet tape will hold the replacement plank in place with is adjacent planks. Use a hand roller to further secure the tape.

## Maintenance Considerations

Clean up spills immediately. Using a damp mop, lightly wash floor regularly with warm water and Kenbrock Maintain. Do not use bleach based soap based or abrasive cleaners.

To avoid possible permanent indentation or damage, proper floor protection devices must be used under furniture and appliances. Exercise care when removing and replacing furniture or appliances.

These instructions are general guidelines for the proper procedures for installing and maintaining this flooring product. Please refer to the Coreflex cleaning and maintenance guide for more detailed maintenance information.

